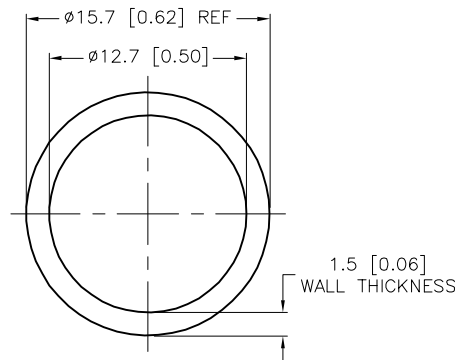


SPECIFICATIONS

MATERIAL	60 DURO TRANSLUCENT SILICONE RUBBER
TEMPERATURE RATING	232°C (450°F)
TENSILE STRENGTH	1275 PSI
ELONGATION	400%
TEAR STRENGTH, DIE B	100 PPI



SOURCE DRAWING - FOR REFERENCE ONLY

NOTES:

1. 30 METER SPOOL OF SILICONE TUBING.

RELATED DOCUMENTS		3RD ANGLE PROJECTION		THIS DRAWING IS CONFIDENTIAL AND THE PROPERTY OF TURCK INC. USE OF THIS DOCUMENT WITHOUT WRITTEN PERMISSION IS PROHIBITED.		3000 CAMPUS DRIVE MINNEAPOLIS, MN 55441 1-800-544-7769 (763) 553-7300 (763) 553-0708 fax www.turck.us	
1. 2. 3. 4.							
MATERIAL	SEE SPECIFICATIONS	DRFT	RWC	DATE	04/18/07	DESCRIPTION	
FINISH	SEE SPECIFICATIONS	APVD		SCALE	1=5	ST ID 1/2-INCH-30M	
		UNIT OF MEASUREMENT		IDENTIFICATION NO.		REV	
		MILLIMETER [INCH]		A9222		A	
		DO NOT SCALE THIS DRAWING		FILE: A9222		SHEET 1 OF 1	

A	DRAWING RELEASE	RWC	04/18/07	
REV	DESCRIPTION	BY	DATE	ECO NO.